








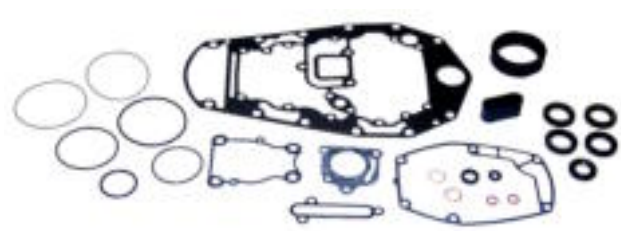




Features...

- ★ Seals and o-rings designed to provide excellent performance in the harsh marine environment.
- ★ Kits include all necessary parts to do a complete reseal.
- ★ Easy quick reference application chart in our catalog.

OUTBOARD

<p>NEW</p>  <p>18-0022 GEAR HOUSING SEAL KIT Replaces: 689-W0001-23-00 For: C25 (1992-97) / C30 (1992)</p>	<p>NEW</p>  <p>18-0023 GEAR HOUSING SEAL KIT Replaces: 689-W0001-C2-00 For: C25 (1986-87) C25 (1990-91) 30 (1986) C30 (1990-91)</p>
<p>NEW</p>  <p>18-0024 GEAR HOUSING SEAL KIT Replaces: 698-W0001-21-00 For: E48 (1995-00) / C55 (1989-94)</p>	<p>NEW</p>  <p>18-0025 GEAR HOUSING SEAL KIT Replaces: 69G-W0001-20-00 For: T 8 (2001-02)</p>

<p>NEW</p>  <p>18-0026 GEAR HOUSING SEAL KIT Replaces: 6A1-W0001-22-00 For: 2HP (1986-88)</p>	<p>NEW</p>  <p>18-0027 GEAR HOUSING SEAL KIT Replaces: 6A1-W0001-23-00 For: 2HP (1989-02)</p>
<p>NEW</p>  <p>18-0028 GEAR HOUSING SEAL KIT Replaces: 6E0-W0001-C1-00 For: 4HP (1984-99)/F4 (1999-02)/5HP (1984-02)</p>	<p>NEW</p>  <p>18-0020 GEAR HOUSING SEAL KIT Replaces: 67C-W0001-21-00 For: T25 (2001-02)/F30 (2002) F40 (2002) 3 cyl model</p>
<p>NEW</p>  <p>18-0021 GEAR HOUSING SEAL KIT Replaces: 688-W0001-22-00 For: C75 (1994-99)/E75 (1995-00)/P75 (1996-99) C80 (1997)/C85 (1992-96)/90 (1992-02) B90 (1998-99)/C90 (1997-01)</p>	<p>NEW</p>  <p>18-0029 GEAR HOUSING SEAL KIT Replaces: 6G1-W0001-C1-00 For: 6HP (1986-96) 8HP (1984-96)</p>

OUTBOARD

APPLICATIONS ON PAGE 398
ALL PARTS SHOWN ARE INCLUDED IN KIT. PART#'S LISTED, ARE AVAILABLE INDIVIDUALLY



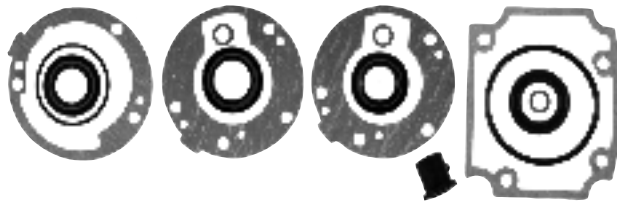
18-0030
GEAR HOUSING SEAL KIT

Replaces: 6L2-W0001-C3-00
For: 20HP (1996-97) 25HP (1988-02) 2 cyl model



18-0031
GEAR HOUSING SEAL KIT

Replaces: 6N0-W0001-C0-00
For: 6HP (1997-00)

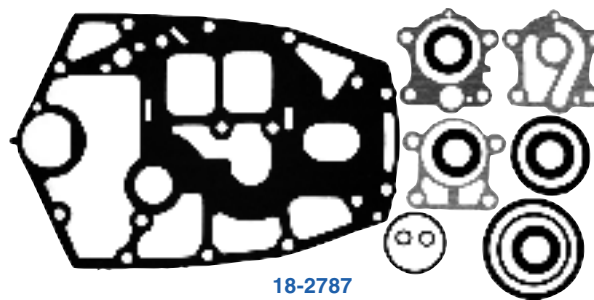


18-2785
AP# 2332
GEAR HOUSING SEAL KIT

Replaces: 689-W0001-21-00, 689-W0001-C1-00

— CONTAINS —

Sierra #	Desc.	O.E.#	Qty.
18-0776	Grommet	682-44365-00-00	1
18-0777	Seal Cover Gasket	689-44315-A0-00	2
18-0774	Wear Plate Gasket	689-44324-A0-00	1
18-0552	Grommet	689-44366-00-00	1
18-4698	Drain or Fill Washer Gasket	YSG-14090-90-8G	3
18-0554	Oil Seal	93101-20M07-00	1
18-0296	Oil Seal	93101-22067-00	2
18-7405	O-Ring	93210-40M10-00	1
18-7399	O-Ring	93210-60MA3-00	1
18-0766	Exhaust Tube Gasket	664-41134-A0-00	1
18-0773	Wear Plate Gasket	689-44316-A0-00	1



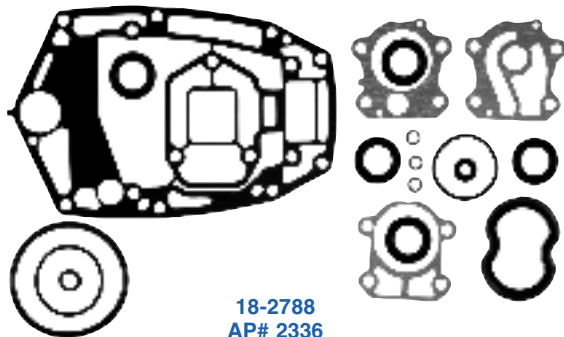
18-2787
AP# 13114
GEAR HOUSING SEAL KIT

Replaces: 698-W0001-20-00, 698-W0001-C0-00

— CONTAINS —

Sierra #	Desc.	O.E.#	Qty.
18-4698	Drain or Fill Washer Gasket	YSG-14090-90-8G	3
18-0296	Oil Seal	93101-22067-00	2
18-0297	Oil Seal	93101-23070-00	2
18-0298	O-Ring	93210-41042-00	1
18-0299	O-Ring	93210-66M98-00	1
18-0292	Wear Plate to Pump Housing Gasket	663-44315-A0-00	1
18-0267	Oil Seal	93106-09014-00	1
18-0294	Wear Plate to Pump Base Gasket	663-44324-A0-00	1

OUTBOARD

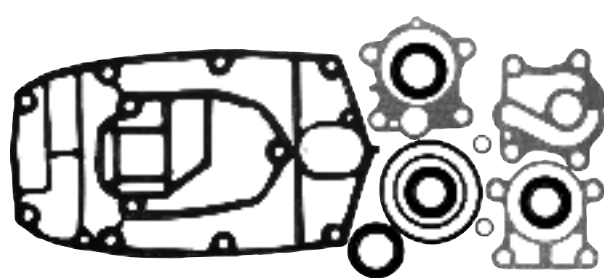


18-2788
AP# 2336
GEAR HOUSING SEAL KIT

Replaces: 6H3-W0001-21-00, 6H3-W0001-C1-00

— CONTAINS —

Sierra #	Desc.	O.E.#	Qty.
18-0240	Wear Plate to Gear Case Mounting Gasket	688-44316-A0-00	1
18-0756	Water Pump Gasket	6H3-44315-A0-00	1
18-0757	Outer Plate Gasket	6H3-44324-A0-00	1
18-0759	Muffler Gasket	6H3-45123-00-00	1
18-4698	Drain or Fill Washer	YSG-14090-90-8G	3
18-0297	Oil Seal	93101-23070-00	2
18-0267	Oil Seal	93106-09014-00	1
18-7436	O-Ring	93210-46044-00	1



18-2789
AP# 13115
GEAR HOUSING SEAL KIT

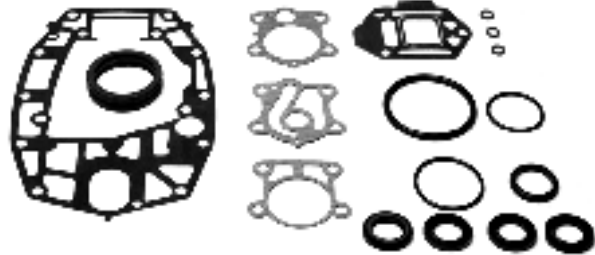
Replaces: 6J8-W0001-21-00, 6J8-W0001-C2-00

— CONTAINS —

Sierra #	Desc.	O.E.#	Qty.
18-0292	Wear Plate to Pump Housing Gasket	663-44315-A0-00	1
18-0294	Wear Plate to Pump Base Gasket	663-44324-A0-00	1
18-4698	Drain or Fill Washer	YSG-14090-90-8G	2
18-0554	Oil Seal	93101-20M07-00	2
18-0297	Oil Seal	93101-23070-00	2
18-0298	O-Ring	93210-41042-00	1
18-7399	O-Ring	93210-60MA3-00	1

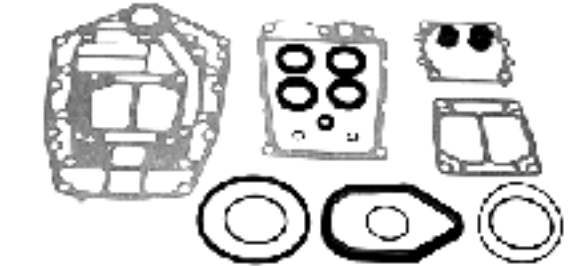
APPLICATIONS ON PAGE 398

ALL PARTS SHOWN ARE INCLUDED IN KIT. PART#'S LISTED, ARE AVAILABLE INDIVIDUALLY



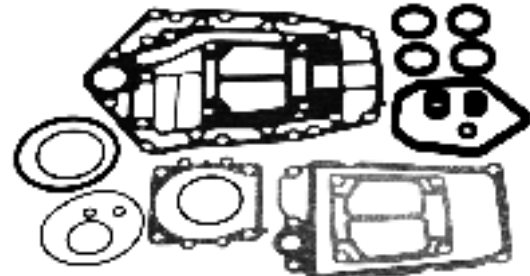
18-2792
AP# 2150
GEAR HOUSING SEAL KIT
Replaces: 6H4-W0001-21-00, 6H4-W0001-20-00
— CONTAINS —

Sierra#	Desc.	O.E.#	Qty.
18-0292	Wear Plate to Pump Housing Gasket	663-44315-A0-00	1
18-0294	Wear Plate to Pump Base Gasket	663-44324-A0-00	1
18-4698	Drain or Fill Washer Gasket	YSG-14090-90-8G	2
18-0296	Oil Seal	93101-22067-00	2
18-0297	Oil Seal	93101-23070-00	2
18-0298	O-Ring	93210-41042-00	1
18-0299	O-Ring	93210-66M98-00	1
18-0293	Pump Base to Gearcase Gasket	663-44316-A0-00	1



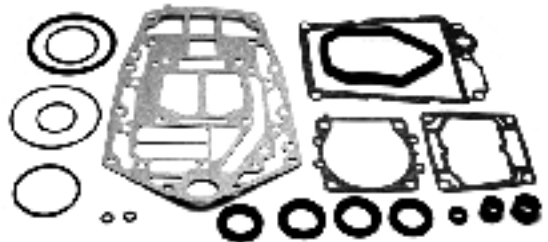
18-2794
AP# 2151
GEAR HOUSING SEAL KIT
Replaces: 6G5-W0001-21-00, 6G5-W0001-C1-00
— CONTAINS —

Sierra#	Desc.	O.E.#	Qty.
18-0244	Water Pump Gasket	6E5-44315-A0-00	1
18-4698	Drain or Fill Washer Gasket	YSG-14090-90-8G	2
18-0265	Oil Seal	93101-28M16-00	2
18-0266	Oil Seal	93101-30M17-00	2
18-0267	Oil Seal	93106-09014-00	1
18-7483	O-Ring	93210-37M67-00	1
18-7485	O-Ring	93210-86M38-00	1
18-0275	O-Ring	93210-97M55-00	1



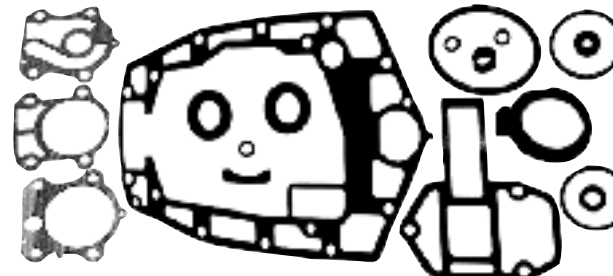
18-2795
AP# 13117
GEAR HOUSING SEAL KIT
Replaces: 6F3-W0001-21-00, 6F3-W0001-C1-00
— CONTAINS —

Sierra#	Desc.	O.E.#	Qty.
18-0244	Water Pump Gasket	6E5-44315-A0-00	1
18-4698	Drain or Fill Washer Gasket	YSG-14090-90-8G	2
18-0265	Oil Seal	93101-28M16-00	2
18-0266	Oil Seal	93101-30M17-00	2
18-0267	Oil Seal	93106-09014-00	1
18-7483	O-Ring	93210-37M67-00	1
18-7485	O-Ring	93210-86M38-00	1



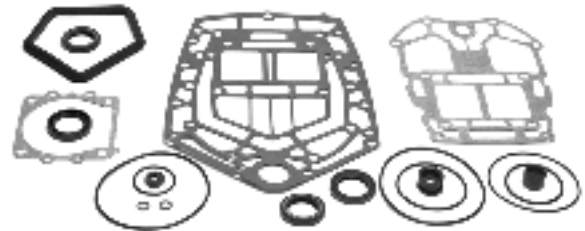
18-2796
GEAR HOUSING SEAL KIT
Replaces: 6E5-W0001-51-00, 6E5-W0001-F1-00
— CONTAINS —

Sierra#	Desc.	O.E.#	Qty.
18-0244	Water Pump Gasket	6E5-44315-A0-00	1
18-4698	Drain or Fill Washer Gasket	YSG-14090-90-8G	2
18-0265	Oil Seal	93101-28M16-00	2
18-0266	Oil Seal	93101-30M17-00	2
18-0267	Oil Seal	93106-09014-00	1
18-7483	O-Ring	93210-37M67-00	1
18-7485	O-Ring	93210-86M38-00	1



18-2798
AP# 2149
GEAR HOUSING SEAL KIT
Replaces: 688-W0001-20-00, 688-W0001-C0-00
— CONTAINS —

Sierra#	Desc.	O.E.#	Qty.
18-0240	Wear Plate to Gear Case Mounting Gasket	688-44316-A0-00	1
18-4698	Drain or Fill Washer Gasket	YSG-14040-90-8G	3
18-7436	O-Ring	93210-46044-00	1
18-0288	O-Ring	93210-85M97-00	1
18-0239	Wear Plate to Pump Housing Gasket	688-44315-A0-00	1
18-0267	Oil Seal	93106-09014-00	1



18-2799
AP# 13119
GEAR HOUSING SEAL KIT
Replaces: 61A-W0001-21-00, 61A-W0001-C1-00
— CONTAINS —

Sierra#	Desc.	O.E.#	Qty.
18-0244	Water Pump Gasket	6E5-44315-A0-00	1
18-4698	Drain or Fill Washer Gasket	YSG-14040-90-8G	2
18-0265	Oil Seal	93101-28M16-00	2
18-0266	Oil Seal	93101-30M17-00	1
18-0267	Oil Seal	93106-09014-00	1
18-7483	O-Ring	93210-37M67-00	1
18-7485	O-Ring	93210-86M38-00	1
18-7444	O-Ring	93210-04384-00	1

APPLICATIONS ON NEXT PAGE
ALL PARTS SHOWN ARE INCLUDED IN KIT. PART#'S LISTED, ARE AVAILABLE INDIVIDUALLY

OUTBOARD

GEAR HOUSING SEAL KIT APPLICATION

Model #	Year	Lower Unit Gasket Kit	Model #	Year	Lower Unit Gasket Kit	Model #	Year	Lower Unit Gasket Kit
25 ①	1984-85	18-2785	115	1986-02	18-2796	VX150	2000-02	18-2794
25 ②	1997-02	18-2789	C115	1991-00	18-2796	VZ150	2001-02	18-2794
C25	1990-91	18-2785	P115	1993-96	18-2796	Z150	2000-02	18-2794
CV25	1991	18-2785	S115	1996-98	18-2796	175	1984-00	18-2794
30	1984-85	18-2785	130 (6N7)			175 (6R3)		
30	1985-86	18-2785	(6L1)	1988-02	18-2795	(6G5)	1985-94	18-2794
30	1987-02	18-2789	L130 (6N4)			P175	1994-99	18-2794
C30	1991	18-2785	(6L6)	1988-99	18-2795	S175	1999	18-2794
CV30	1989	18-2796	S130	1996-98	18-2795	VZ175	2001-02	18-2794
40	1984-94	18-2792	150 (6R2)			Z175	2001-02	18-2794
50	1984-94	18-2792	(6G4)	1984-02	18-2794	200	1984-99	18-2794
P50	1987-94	18-2792	C150	1996-99	18-2794	P200	1991-00	18-2794
C55	1991	18-2787	L150 (6R0)			L200	1984-99	18-2794
CV55	1989	18-2787	(6K0)	1984-99	18-2794	LX200	1999-02	18-2794
P60	1984-91	18-2788	P150	1986-99	18-2794	VZ200	2001-02	18-2794
70	1984-91	18-2788	PX150	1999	18-2794	V6 Special	1984-86	18-2794
C85	1989-91	18-2798	S150	1994-99	18-2794	V6 Excel	1987-89	18-2794
90	1984-91	18-2798	SX150	199-02	18-2794	225 ③	1990-97	18-2794
115	1984-85	18-2797	V150	2001-02	18-2794	225/L225 ④	1994-96	18-2799
						250/L250	1990-96	18-2799

① 2 cylinder model

② 3 cylinder model

③ 2.6 liter engine

④ 3.1 liter engine



O-RINGS

OIL SEALS						O-RINGS			
Sierra #	AP #	O.E. #	Sierra #	AP #	O.E. #	Sierra #	AP #	Std. Pkg.	O.E. #
18-0265	2034	93101-28M16-00	18-0570	—	93102-23096-00	18-0275	2045	1	93210-97M55-00
18-0266	2035	93101-30M17-00	18-0587	2037	93101-25M03-00	18-0298	2050	1	93210-41042-00
18-0267	2036	93106-09014-00	18-0588	2031	93102-25M28-00	18-0299	2051	1	93210-66M98-00
18-0296	2040	93101-22067-00	18-0814	—	6H1-14457-01-00	18-0838	2223	5	93210-37M25-00
18-0297	2039	93101-23070-00	18-2079	2220	93101-22M15-00	18-7399	2326	1	93210-60MA3-00
18-0554	2320	93101-20M07-00	18-2085	2221	93102-35M13-00	18-7405	2325	1	93210-40M10-00
18-0555	2032	93102-30M23-00	18-2087	—	93102-40M36-00	18-7431	—	5	93210-22M02-00
—	2075	93106-18M01-00	18-2088	2222	93102-40M38-00	18-7432	—	2	93210-32738-00
			18-2091	—	93104-22M07-00	18-7434	—	2	93210-39ME4-00
						18-7435	—	5	93210-42159-00
						18-7436	2024	1	93210-46044-00
						18-7438	—	2	93210-50MA8-00
						18-7439	—	2	93210-54M54-00
						18-7441	2229	1	93210-62269-00
						18-7442	2230	1	93210-74M35-00
						18-7443	—	1	93210-81MA6-00
						18-7444	2231	1	93211-04384-00
						18-7483	2041	1	93210-37M67-00
						18-7485	2044	1	93210-86M38-00
						18-7511	—	5	93210-16716-00

NEW



18-6290
PWC 650 Starter

Personal Watercraft High Performance 11 Tooth Drive Gear Fits : Yamaha PWC 500cc

NEW



18-6294
PWC 440 Starter

Personal Watercraft High Performance 9 Tooth Drive Gear Fits : Kawasaki PWC 440-550cc

NEW



18-6296
PWC 650 Starter

Personal Watercraft High Performance Fits : Polaris PWC 650cc, 750cc

NEW



18-6295
PWC 650 Starter

Personal Watercraft High Performance Fits : Kawasaki PWC 650cc, 750cc, 900cc

NEW



18-6289
PWC 500 Starter

Personal Watercraft High Performance 11 Tooth Drive Gear Fits : Yamaha PWC 500cc

OUTBOARD