

4-10 HORSEPOWER								
Thru Hub Exhaust & 8 Tooth Spline								
MODEL 40	.....1973-75	BF 7.5	.....1978-87	BF 100 (10 HP)	.....All Years			
MODEL 45	.....1973-81	BF 8	.....1987 & Newer					
Boat Length/Description	MICHIGAN MATCH REPLACEMENT PROPELLERS						Part No.	Rubber Hub Bushing
	Dia., Rot., Pitch	Bld#	Mat'l	OEM				
Std. Replacement	9 R 9	2	AL	48-47922A10		<b>032021</b>		
Lt. Runabouts, LL	9 R 10	2	AL	48-47926A10		<b>032019</b>		
14-16' - AL, SK	9 R 7	3	AL	48-47670A10		<b>032020</b>		

6-15 HORSEPOWER								
Thru Hub Exhaust & 8 Tooth Spline								
6, 8, 9.9 HP (2-Stroke)	.....1986 & Newer	10 HP	.....1995 & Newer	15 HP (2 & 4-Stroke)	.....1989 & Newer			
9.9 HP	.....2002	10, 15 HP (Sea Pro/Marathon)	..1995 & Newer					
Does not include Bigfoot.								
Boat Length/Description	MICHIGAN MATCH REPLACEMENT PROPELLERS						Part No.	Rubber Hub Bushing
	Dia., Rot., Pitch	Bld#	Mat'l	OEM				
HB, WB	9-3/4 R 5-1/2	3	AL	48-828148A12		<b>032060</b>		
HB, WB	9-3/4 R 6-1/2	3	AL	48-828150A12		<b>032058</b>		
16-20' - AL	9-1/4 R 7	3	AL	48-828152A12		<b>032056</b>		
14-19' - AL	9 R 8	3	AL	48-828154A12		<b>032054</b>		
14-18' - AL	9 R 9	3	AL	48-828156A12		<b>032052</b>		
14-16' - AL	9 R 10-1/2	3	AL	48-828158A12		<b>032050</b>		

MERC 20								
Thru Hub Exhaust & 8 Tooth Spline								
Merc. 20	.....1963-81							
Boat Length/Description	MICHIGAN MATCH REPLACEMENT PROPELLERS						Part No.	Rubber Hub Bushing
	Dia., Rot., Pitch	Bld#	Mat'l	OEM				
Std. Replacement	9-7/8 R 11	2	AL	48-33480A1		<b>032135</b>		
14-16' - AL, SK	10 R 9	3	AL	48-86962A4		<b>032136</b>		

9.9-25 HORSEPOWER									
Thru Hub Exhaust & 10 Tooth Spline									
9.9, 15 HP (Bigfoot, 4-Stroke)	...1999 & Newer	20 HP (Mercury)	.....1986 & Newer	25 HP (Mariner 2-Stroke)	.....1985 & Newer				
18 HP (Mercury)	.....1980-85	25 HP (Not 4-Stroke)	.....1980 & Newer	25 HP (Sea Pro/Marathon)	.....				
Boat Length/Description	MICHIGAN MATCH REPLACEMENT PROPELLERS						BALLISTIC STAINLESS STEEL PINS		Rubber Hub Bushing
	Dia., Rot., Pitch	Bld#	Mat'l	OEM	Part No.	Dia. x Pitch	Bld# RH		
15-19'	10-3/8 R 11	3	AL	48-19638A40	<b>031049</b>				
13-17'	10-3/8 R 13	3	AL	48-19640A40	<b>031048</b>	10-1/8 x 13	3 <b>305129</b>		
Up to 14'	10-1/4 R 14-1/2	3	AL	48-19642A40	<b>031047</b>	10-1/8 x 15	3 <b>305130</b>		

Boat Length/Description	VORTEX XHS PERFORMANCE PROPELLERS						Part No.	Use XHS™ Hub Kit <b>120</b>
	Dia., Rot., Pitch	Bld#	Mat'l	OEM				
	10-1/4 R 9	3	AL	48-19636A10		<b>992501</b>		
	10-1/4 R 10	3	AL			<b>992502</b>		
	10-1/4 R 11	3	AL	48-19638A40		<b>992503</b>		
	10-1/8 R 12	3	AL	48-19639A40		<b>992504</b>		
	10-1/8 R 13	3	AL	48-19640A40		<b>992505</b>		
	10-1/8 R 14	3	AL	48-19642A40		<b>992506</b>		

"NEW" VORTEX™ - AVAILABLE SPRING OF 2004 SEASON.

Key to abbreviations: AL: All Loads; CR: Cruisers; HB: Houseboat; HL: Heavy Loads; LL: Light Loads; RB: Runabouts; SB: Sailboat; SK: Skiboat; WB: Workboat; WD: Weedless

**15-25 HORSEPOWER • MARINER**

Non-Thru Hub & Pin Drive

15 HP .....1976-81                      W15 .....1977-85                      25 HP .....1977-79  
 15A .....1979-82                      20 HP .....1976-79

Boat Length/Description	MICHIGAN MATCH REPLACEMENT PROPPELLERS						Part No.	Rubber Hub Bushing
	Dia., Rot., Pitch	Bld#	Mat'l	OEM	Part No.			
HB, SB	9-1/4 R 7	3	AL	48-96628	012102			
12-14' - HL	9 R 10	3	AL	48-96625	012011			
12-14' - AL, SK	9-1/4 R 11	3	AL	48-96623	012013			
12-14' - LL	9-1/4 R 12	3	AL	48-96622	012010			

**25-30 HORSEPOWER • MARINER • THRU HUB EXHAUST**

Thru Hub Exhaust & 10 Tooth Spline

25 HP .....1980-84                      28 HP .....1976-79                      30 HP .....1979-90

Boat Length/Description	MICHIGAN MATCH REPLACEMENT PROPPELLERS						Part No.	Rubber Hub Bushing
	Dia., Rot., Pitch	Bld#	Mat'l	OEM	Part No.			
16-18' - AL, SK	9-7/8 R 9	3	AL	48-81647	022001			
16-18' - AL, SK	9-7/8 R 9	3	AL		★021001			
14-17' - AL, SK	9-7/8 R 10-1/2	3	AL	48-81649	022002			
13-16' - LL	9-3/8 R 12	3	AL	48-82826	022003			

**MARK 35-58A, MODELS 300-500 (THRU 1961)**

Thru Hub Exhaust & 11 Tooth Spline

Mark 35A, 50, 55 .....1956-61

Mark 58, 58A

Models 300, 350, 400, 500

Boat Length/Description	MICHIGAN MATCH REPLACEMENT PROPPELLERS						Part No.	Rubber Hub Bushing
	Dia., Rot., Pitch	Bld#	Mat'l	OEM	Part No.			
16-17' - AL, SK	10 R 10	3	AL	48-22575A2	032077			

**MODELS 300-500 (1962-69)**

Thru Hub Exhaust & 11 Tooth Spline

MODELS 300, 350, 400, 450, 500 ..1962-69

Boat Length/Description	MICHIGAN MATCH REPLACEMENT PROPPELLERS						Part No.	Rubber Hub Bushing
	Dia., Rot., Pitch	Bld#	Mat'l	OEM	Part No.			
17-19' - AL, SK	10-1/4 R 10	3	AL	48-33774A1	032084			
16-17' - AL, SK	10-1/4 R 11	3	AL	48-38098A1	032085			
14-16' - AL, SK	10-1/4 R 12	3	AL	48-38094A1	032086			
14-16' - LL	10-1/4 R 13	3	AL	48-38090A1	032087			

**MODELS 400-500 (1970-73)**

Thru Hub Exhaust & 13 Tooth Spline

MODELS 400, 402, 500 .....1970-73

Boat Length/Description	MICHIGAN MATCH REPLACEMENT PROPPELLERS						Part No.	Rubber Hub Bushing
	Dia., Rot., Pitch	Bld#	Mat'l	OEM	Part No.			
14-16' - AL, SK	10-1/4 R 13	3	AL	48-56236A1	032099			

Key to abbreviations: AL: All Loads; CR: Cruisers; HB: Houseboat; HL: Heavy Loads; LL: Light Loads; RB: Runabouts; SB: Sailboat; SK: Skiboat; WB: Workboat; WD: Weedless

★ Indicates a cupped propeller.

▶ LIMITED INVENTORY ITEMS.

**MODELS 402-500 (1974-76), 650, 60 HP**  
**Thru Hub Exhaust & 13 Tooth Spline**

MODEL 402-500 .....1974-76                      MODEL 650 .....1972-76                      60 HP (Mariner) .....1976

Boat Length/Description	MICHIGAN MATCH REPLACEMENT PROPELLERS						RAPTURE			BALLISTIC™ STAINLESS STEEL PROPS			
	Dia., Rot., Pitch	Bld#	Mat'l	OEM	Part No.	Dia. x Pitch	Bld#	Part No.	Dia. x Pitch	Bld#	RH	LH	
19-22' - AL	12-1/4 R 10	3	AL	4861812A1	032045	10-1/2 x 10	3	033093					
19-22' - AL	12-1/4 R 10	3			*031072								
17-19' - AL, SK	12 R 11	3	AL	48-61814A1	032044								
17-19' - AL, SK	12 R 11	3	AL		*031073								
16-17' - AL, SK	10-5/8 R 12	3	AL		113001	10-1/2 x 12	3	033094					
15-18' - AL, SK	11-3/4 R 12	3	AL	48-61816A1	032043								
14-16' - LL	11-1/2 R 13	3	AL	48-61818A1	032042	10-1/2 x 13	3	033095	10-1/8 x 13	3	395929		
12-14' - LL	11-1/4 R 14	3	AL	48-61820A1	032041	10-1/2 x 14	3	033096					
12-14' - LL	11 R 15	3	AL	48-61822A1	032040	10-1/2 x 15	3	033097	10-1/8 x 15	3	395930		
12-14' - LL	10-3/4 R 16	3	AL	48-61824A1	032039								

Rubber Hub Bushing



Boat Length/Description	VORTEX™ PERFORMANCE PROPELLERS												
	Dia., Rot., Pitch	Bld#	Mat'l	OEM	Part No.	Dia. x Pitch	Bld#	Part No.	Dia. x Pitch	Bld#	RH	LH	
	12 R 8	4	AL		992401								
	12 R 9	4	AL		992402								
19-22' - AL, SK	12 R 10	4	AL		992403								
17-19' - AL, SK	10-3/8 R 11	3	AL	48-85632A40	992404								
16-17' - AL, SK	10-3/8 R 12	3	AL	48-73134A40	992405								
14-16' - LL	10-3/8 R 13	3	AL	48-73136A40	992406								
12-14' - LL	10 R 14	3	AL	48-73138A40	992407								
12-14' - LL	10 R 15	3	AL	48-73140A40	992408								
12-14' - LL	10 R 16	3	AL	48-73142A40	992409								

Use XHS™ Hub Kit  
**114**

\*NEW\* VORTEX™ - AVAILABLE SPRING OF 2004 SEASON.

**25-80 HORSEPOWER**  
**Thru Hub Exhaust & 13 Tooth Spline**

MODEL 402-500-700 .....1977-84                      40 HP (2 & 4-Stroke) (Not Bigfoot) .1977 & Newer                      55 HP (Mercury/Sea Pro/Marathon) 1995 & Newer  
 25 HP Bigfoot (4-Stroke) .....1999 & Newer                      40 HP (Sea Pro/Marathon) .....1977 & Newer                      60 HP (Not Bigfoot or Sea Pro) ...1978 & Newer  
 30 HP (2 & 4-Stroke) .....1994 & Newer                      45 HP .....1986-89                      60 HP (2-Stroke) .....1978 & Newer  
 30 HP (Sea Pro/Marathon) .....1994 & Newer                      48 HP (Mariner) .....All Years                      70 HP .....Thru 1983  
 35 HP .....1984-89                      50 HP (2 & 4-Stroke) (Not Bigfoot) .1977 & Newer

Boat Length/Description	MICHIGAN MATCH REPLACEMENT PROPELLERS						RAPTURE			BALLISTIC™ STAINLESS STEEL PROPS			
	Dia., Rot., Pitch	Bld#	Mat'l	OEM	Part No.	Dia. x Pitch	Bld#	Part No.	Dia. x Pitch	Bld#	RH	LH	
19' and Up	12-1/2 R 8	3	AL	48-42738A10	032141								
19' & Up	12-1/2 R 8	3	AL		*031070								
17-19' - AL, SK	11-1/4 R 10	3	AL	48-73132A40	031015								
16-18' - AL, SK	12 R 10-1/2	3	AL	48-42740A10	032142								
16-18' - AL, SK	12 R 10-1/2	3	AL		*031071								
16-18' - AL, SK	10-7/8 R 11	3	AL	48-85632A40	031053								
15-17' - AL, SK	10-3/4 R 12	3	AL	48-816702A40	031056								
15-17' - AL, SK	10-5/8 R 12	3	AL	48-73134A40	031016	10-1/2 x 12	3	033089					
15-17' - AL, SK	10-5/8 R 12	3	SS	48-79792A5	033001								
14-17' - AL, SK	10-1/2 R 13	3	AL	48-816704A40	031057								
14-17' - AL, SK	10-3/8 R 13	3	AL	48-73136A40	031017	10-1/2 x 13	3	033090	10-1/8 x 13	3	395129		
14-16' - LL	10-3/8 R 14	3	AL	48-816706A40	031058								
14-16' - LL	10-1/4 R 14	3	AL	48-73138A40	031018	10-1/2 x 14	3	033091					
13-15' - LL	10-1/4 R 14	3	SS	48-76230A5	033028								
Up to 15' - LL	10-1/8 R 15	3	AL	48-73140A40	031019	10-1/2 x 15	3	033092	10-1/8 x 15	3	395130		
Up to 15' - LL	10 R 17	3	AL	48-73144A40	031020								

Rubber Hub Bushing

Key to abbreviations: AL: All Loads; CR: Cruisers; HB: Houseboat; HL: Heavy Loads; LL: Light Loads; RB: Runabouts; SB: Sailboat; SK: Skiboat; WB: Workboat; WD: Weedless

\* Indicates a cupped propeller.                      ► LIMITED INVENTORY ITEMS.

**25-80 HORSEPOWER**  
Thru Hub Exhaust & 13 Tooth Spline

MODEL 402-500-700 . . . . .1977-84	40 HP (2 & 4-Stroke) (Not Bigfoot) .1977 & Newer	55 HP (Mercury/Sea Pro/Marathon) 1995 & Newer
25 HP Bigfoot (4-Stroke) . . . . .1999 & Newer	40 HP (Sea Pro/Marathon) . . . . .1977 & Newer	60 HP (Not Bigfoot or Sea Pro) . .1978 & Newer
30 HP (2 & 4-Stroke) . . . . .1994 & Newer	45 HP . . . . .1986-89	60 HP (2-Stroke) . . . . .1978 & Newer
30 HP (Sea Pro/Marathon) . . . . .1994 & Newer	48 HP (Mariner) . . . . .All Years	70 HP . . . . .Thru 1983
35 HP . . . . .1984-89	50 HP (2 & 4-Stroke) (Not Bigfoot) .1977 & Newer	



Boat Length/Description	VORTEX <sup>XHS</sup> PERFORMANCE PROPELLERS						
	Dia.,	Rot.,	Pitch	Bld#	Mat'l	OEM	Part No.
	12	R	8	4	AL		992401
	12	R	9	4	AL		992402
19-22' - AL,SK	12	R	10	4	AL		992403
17-19' - AL, SK	10-3/8	R	11	3	AL	48-85632A40	992404
16-17' - AL, SK	10-3/8	R	12	3	AL	48-73134A40	992405
14-16' - LL	10-3/8	R	13	3	AL	48-73136A40	992406
12-14' - LL	10	R	14	3	AL	48-73138A40	992407
12-14' - LL	10	R	15	3	AL	48-73140A40	992408
12-14' - LL	10	R	16	3	AL	48-73142A40	992409

Use XHS™  
Hub Kit  
**114**

"NEW" VORTEX™ - AVAILABLE SPRING OF 2004 SEASON.

**40-140 HORSEPOWER**  
Thru Hub Exhaust & 15 Tooth Spline

40, 50 HP (Bigfoot, 4-Stroke) . . . . .All Years	90 HP (2 & 4-Stroke) . . . . .1978 & Newer	▼650 2 Cyl. . . . .Thru 1971
60 HP (Bigfoot/Sea Pro Only, not 4-Stroke) 1995 & Newer	100 HP . . . . .1988 & Newer	▼800-850 6 Cyl. . . . .Thru 1972
60 HP (Sea Pro/Marathon) . . . . .1995 & Newer	115 HP . . . . .1978 & Newer	▼800-850 4 Cyl. . . . .1972-77
70 HP . . . . .1987-89	115 HP 4-Stroke . . . . .2001 & Newer	▼900-1500 Models . . . . .Thru 1977
75 HP (2 & 4-Stroke) . . . . .1984 & Newer	125 HP . . . . .1994 & Newer	▼80 HP (Yamaha) . . . . .1977
75 HP (Sea Pro/Marathon) . . . . .All Years	140 HP (Includes Sea Pro & Offshore) 1978 - 81	▼80 HP (Mariner) . . . . .1978-83
80 HP . . . . .1978-89	▼650 4 Cyl. (2:1) . . . . .1961-70	

Boat Length/Description	VORTEX <sup>XHS</sup> PERFORMANCE PROPELLERS						RAPTURE <sup>XHS</sup>				
	Dia.,	Rot.,	Pitch	Bld#	Mat'l	OEM	Part No.	Dia. x Pitch	Bld#	RH	LH
16-18' - RB, SK	13-3/4	R	15	3	AL		992103	13-1/4 x 15	3	993103	
15-17' - RB, SK	13-1/4	R	17	3	AL		992104	13-1/4 x 17	3	993104	
14-16' - RB, SK	13	R	19	3	AL		992105	13-1/4 x 19	3	993105	
13-15' - RB, SK	12-3/4	R	21	3	AL		992106	13-1/4 x 21	3	993106	

Use XHS™  
Hub Kit  
**102**  
Use Gearcase  
Adapter Ring supplied  
with propeller.

Boat Length/Description	MICHIGAN MATCH REPLACEMENT PROPELLERS						BALLISTIC <sup>TM</sup> STAINLESS STEEL PROPS				
	Dia.,	Rot.,	Pitch	Bld#	Mat'l	OEM	Part No.	Dia. x Pitch	Bld#	RH	LH
25' & Up - AL	14	R	11	3	AL	48-77338A40	▼031054				
22' & Up - AL	14	R	13	3	AL	48-77340A40	▼031055				
19-24' - AL, SK	13-3/4	R	15	3	AL	48-77342A40	※031041	13-5/8 x 15	3	※335130	
19-24' - AL, SK	13-3/4	R	15	3	SS	48-16986A5	※033016				
17-20' - AL, SK	13-1/4	R	17	3	AL	48-77344A40	※031042	13-1/2 x 17	3	※335131	
17-20' - AL, SK	13-1/4	R	17	3	SS	48-16988A5	※033017				
16-19' - AL, SK	13	R	19	3	AL	48-77346A40	▼031043	13-3/8 x 19	3	※335132	
16-19' - AL, SK	13	R	19	3	SS	48-16990A40	▼033018				
15-18' - AL, SK	12-3/4	R	21	3	AL	48-77348A40	▼031044	13-1/8 x 21	3	※335133	
15-18' - AL, SK	13	R	21	3	SS	48-16992A40	▼033019				
Lt. Runabouts, LL	12-1/2	R	23	3	AL	48-77350A40	▼031045				
High Performance								13-1/2 x 22	3	※335134 (XL)	
High Performance								13-1/2 x 24	3	※335135 (XL)	

Rubber  
Hub  
Bushing

Key to abbreviations: AL: All Loads; CR: Cruisers; HB: Houseboat; HL: Heavy Loads; LL: Light Loads; RB: Runabouts; SB: Sailboat; SK: Skiboat; WB: Workboat; WD: Weedless

▼ When using rubber hub propeller, use thrust washer 13191A1.  
※ To avoid damage or injury, replace standard trim tab with trim tab 822777A1 and thrust washer 13191A1 MUST be used.

135-300 HORSEPOWER • V-6 GEARCASE



Thru Hub Exhaust & 15 Tooth Spline

135 HP .....1987 & Newer	220 HP .....1987-88	275 HP .....1990-94
150 HP .....1978 & Newer	225 HP .....1980 & Newer	300 HP .....1983, 1999 & Newer
175 HP .....1978 & Newer	225 HP (Sea Pro/Marathon) ....All Years	3.4 Litre .....1984-86
200 HP .....1978 & Newer	250 HP .....1994 & Newer	



Includes DFI, EFI, Magnum, Offshore, Optimax, Sea Pro & XRI

Use thrust washer 13171

Add 4" pitch for twin motors

Boat Length/Description										
	Dia., Rot., Pitch	Bld#	Mat'l	OEM	Part No.	Dia. x Pitch	Bld#	RH	LH	
21-24' - AL	15-1/4 R 15	3	AL		992002	14-1/4 x 15	3	993002	993012	
19-23' - AL, SK	15 R 17	3	AL		992003	14-1/4 x 17	3	993003	993013	
18-22' - AL, SK	14-1/2 R 19	3	AL		992004	14-1/4 x 19	3	993004	993014	
18-20' - AL, SK	14-1/4 R 21	3	AL		992005	14-1/4 x 21	3	993005	993015	
17-20' - AL, SK	14 R 23	3	AL		992006	14-1/4 x 23	3	993006	993016	
						14-1/4 x 25	3	993007	993017	
20-23' - AL, SK	15 R 16	4	AL		992202					
19-22' - AL, SK	14-1/2 R 18	4	AL		992203					
	14 R 20	4	AL		992204					

Use XHS™ Hub Kit  
**102**

Boat Length/Description										
	Dia., Rot., Pitch	Bld#	Mat'l	OEM	Part No.	Dia. x Pitch	Bld#	RH	LH	
CR, HB	16 R 11	3	AL	48-78112A40	031021					
CR, HB	16 R 12	3	AL	48-16436A40	031063					
CR, HB	16 R 13	3	AL	48-78114A40	031022					
22-25' - AL	16 R 14	3	AL	48-16438A40	031050					
21-24' - AL	15-1/4 R 15	3	AL	48-78116A40	031023	14-7/8 x 15	3	345131		
21-24' - AL	14-1/2 R 15	3	SS	48-16312A4	033002					
20-23' - AL, SK	16 R 16	3	AL	48-16440A40	031051					
19-23' - AL, SK	14-1/2 R 17	3	AL	48-78118A40	031024	14-3/4 x 17	3	345132	345162	
19-23' - AL, SK	14-1/2 R 17	3	SS	48-16314A4	033003					
19-23' - AL, SK	15 R 17	3	AL	48-832828A45	031064					
19-22' - AL, SK	15-1/2 R 18	3	AL	48-11324A45	031052					
18-22' - AL, SK	14 R 19	3	AL	48-78120A40	031025	14-1/2 x 19	3	345133	345163	
18-22' - AL, SK	14 R 19	3	SS	48-16316A4	033004					
18-22' - AL, SK	14-1/2 R 19	3	AL	48-832830A45	031065					
18-20' - AL, SK	13-3/4 R 21	3	AL	48-78122A40	031026	14-3/8 x 21	3	345134	345164	
18-20' - AL, SK	13-3/4 R 21	3	SS	48-16318A4	033005					
18-20' - AL, SK	14-1/4 R 21	3	AL	48-832832A45	031066					
17-20' - AL, SK	13-1/2 R 23	3	AL	48-78124A40	031027	14-1/4 x 23	3	345135	345165	
17-20' - AL, SK	13-1/2 R 23	3	SS	48-16320A4	033006					
17-20' - AL, SK	14 R 23	3	AL	48-832834A45	031068					
Up to 18'	13-3/8 R 25	3	AL	48-78126A40	031067	14-1/4 x 25	3	345136		
High Performance						14-1/2 x 22	3	345141	(XL)	
High Performance						14-1/2 x 24	3	345137	(XL)	
High Performance (EFI Engine)						14 x 24	3	345139	(XL)	
High Performance						14-1/2 x 26	3	345138	(XL)	
High Performance (EFI Engine)						14 x 26	3	345140	(XL)	
<b>High Performance 4 Blade Propellers</b>										
50-62 MPH	13-3/4 R 22	4	SS		033038	13-3/4 x 23	4	345135	(XL)	
55-67 MPH	13-3/4 R 24	4	SS		033040	13-3/4 x 25	4	345136	(XL)	
60-72 MPH	13-3/4 R 26	4	SS		033042	13-3/4 x 27	4	345137	(XL)	
<b>Stainless Steel Performance Propellers for Offshore or Heavy Boats</b>										
18-20' - AL, SK	14-3/4 R 21	3	SS	48-13702A41	033032					
17-20' - AL, SK	14-5/8 R 23	3	SS	48-13704A41	033034					
16-19' - AL, SK	14-1/2 R 25	3	SS	48-13706A41	033036					
	15-1/4 L 19	3	SS	48-13701A41	033029					
	14-3/4 L 21	3	SS	48-13703A41	033031					
	14-5/8 L 23	3	SS	48-13705A41	033033					
	14-1/2 L 25	3	SS	48-13707A41	033035					

Rubber Hub Bushing

■ Larger blade area design used primarily on 1997 & newer applications.      ● Use thrust washer A-9500-110 provided with propeller.  
 \* To avoid damage or injury, replace standard trim tab with trim tab 822777A1.      ► LIMITED INVENTORY ITEMS.  
 NOTE: When replacing Flo-Torg II™ plastic hub props, aft castle washer 12-31211A2 and conductivity washer 13-42351-1 are required in addition to other hardware supplied with original propeller. For complete details see page 22.

# Replacing a Flo-Torq™ Hub with Michigan Propellers

## Replacing a Flo-Torq II™ Drop In Hub Design with Michigan Propellers

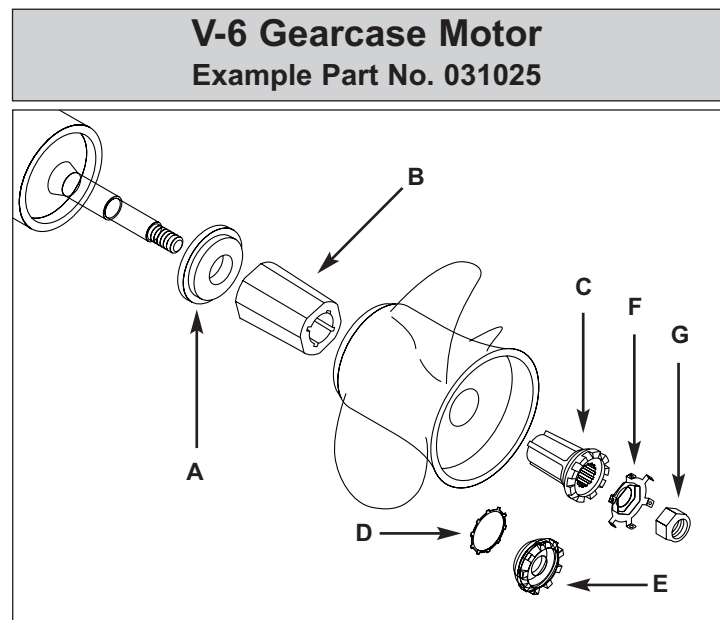
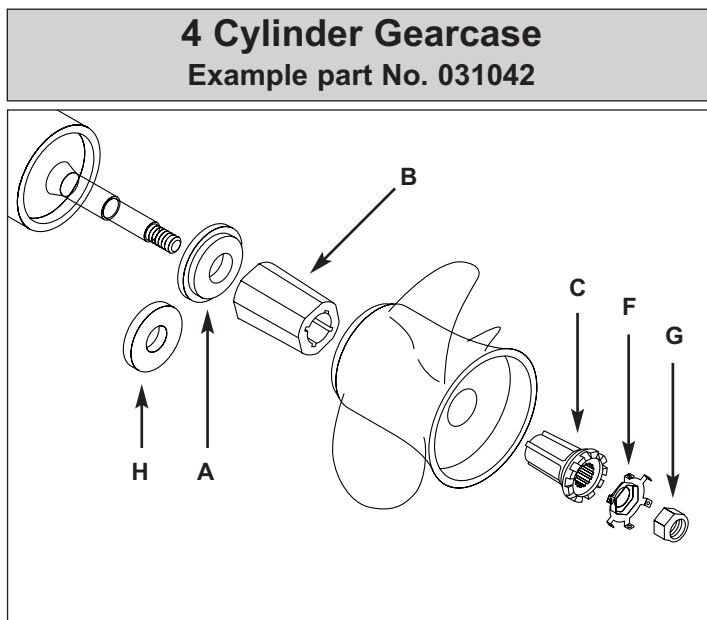
Propellers supplied from Mercury™, Mariner™ and Force® since 1996 come with Flo-Torq II™ drop in hubs equipped with attaching hardware A,B,C,F & G per the following illustrations. When switching to Michigan Match™ or Rapture™ propellers, change the attaching hardware set up as follows.

When converting to a Michigan Propeller on a **4 cylinder gear-case**, eliminate B & C, replace A with H and use existing hardware F & G.

When converting to a Michigan Propeller on a **V-6 gear-case**, eliminate B & C and use A, D, E, F & G as attaching hardware (D & E replaces C). Be sure to use high-performance trim tab 822777A1 for Rapture™ installations.

Michigan Wheel offers the following attaching hardware kits for these installations:

- 990312 Includes D & E for the V-6 gearcase.
- 990332 Includes Forward Thrust Washer H for 4-cylinder gearcase.
- 9661-1 Includes A, D, E, F & G for the V-6 gearcase.
- 9660-1 Includes H, F & G for the 4 cylinder gearcase.



- A) 12-835467 Forward Thrust Washer
- B) 827703 Plastic Drive Sleeve
- C) 826074-1 Metal Sleeve adapter
- D) 13-42351-1 Conductivity (star) washer

- E) 12-31211A2 Aft Castle Thrust Washer
- F) 14-816629 Locking Tab Washer
- G) 11-827614 Shaft Prop Nut
- H) 13191A1 Forward Thrust Washer